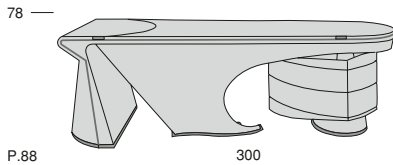
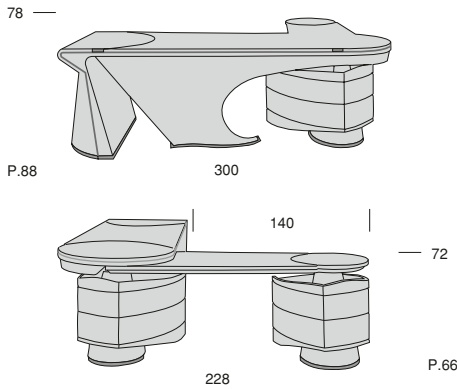


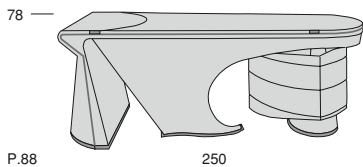
PRIOR DESK 300



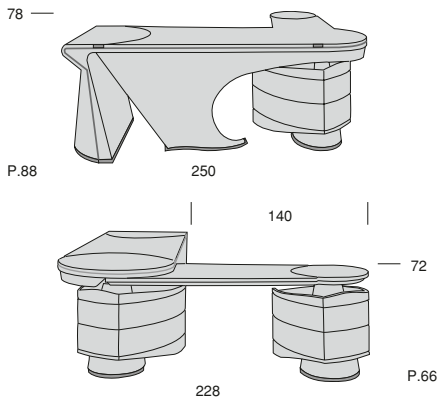
PRIOR DESK 300 WITH EXTENSION



PRIOR DESK 250



PRIOR DESK 250 WITH EXTENSION



Dati tecnici - Technical features

SCRIVANIA-DESK

Base portante in compensato curvo. Piano in multistrato e pannelli di alluminio. Elementi decorativi e di rinforzo in acciaio. Colonne portanti in acciaio rotanti su cuscinetti a sfera e teflon, passacavi orizzontali e verticali in metallo.
Supporting base made of curved plywood. Top made of multilayer wood and aluminium panels. Decorative and strengthening components made of steel. Supporting rotating bases made of steel on ball bearing and Teflon, horizontal and vertical metal connections for wires.

Legenda

- 1 - Legno massiccio
- Solid wood
- 2 - Cinghie elastiche
- Elastic Belts
- 3 - Molle
- Springs
- 4 - Crine
- Vegetable hair
- 5 - Imbottiture in gomma indeformabile con rivestimento in Dacron
- Non-deformable foam rubber upholsteries with Dacron covering
- 6 - Cuscini gomma indeformabile con rivestimento in Dacron. Possibilità morbidi - medi - rigidi.
- Cushions foam rubber non-deformable with Dacron covering. Possibilities: soft - medium - hard
- 7 - Cuscini piuma
- Feather cushions
- 8 - Legno massiccio scolpito a mano
- Solid hand carved wood
- 9 - Girevole
- Revolving
- 10 - Regolabile in altezza
- Height adjustment
- 11 - Basculante regolabile
- Position adjustment
- 12 - Possibilità letto
- Also for beds
- 13 - Frangia in pelle intrecciata a mano
- Hand-woven leather fringe
- 14 - Cucito a mano
- Sewed by hand
- 15 - Curvati in betulla
- Birch shaped wood
- 16 - Syncro mechanism
- 17 - Motore elettrico
- Electric engine
- 18 - Telaio in acciaio
- Steel frame